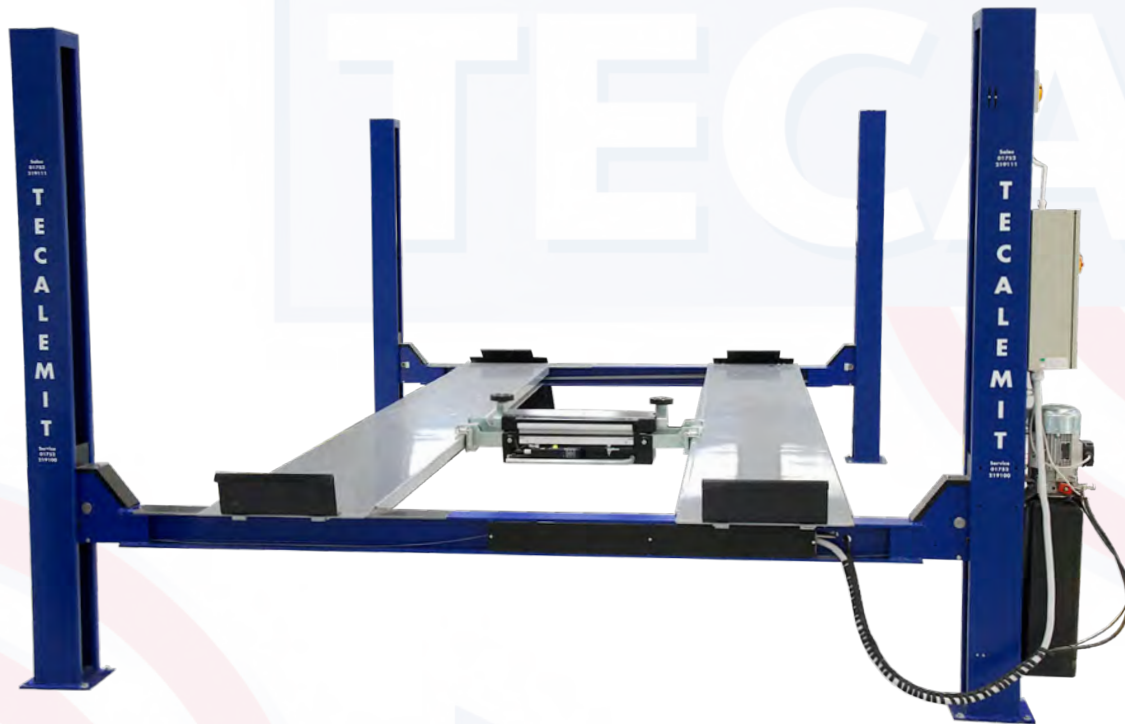


Leviathan 8t 4 Post Commercial Vehicle Lift



GARAGE EQUIPMENT
since 1922



Part No.: SF/9480

See overleaf for more information

- Electro hydraulic lift
- Mechanical & hydraulic safety systems
- 24V 'Dead Man' control system
- Compact design for tractor units and smaller trucks
- Acoustic warning system on final descent

Leviathan 8t 4 Post Commercial Vehicle Lift



GARAGE EQUIPMENT
since 1922

→ About the SF/9480

The SF/9480 commercial vehicle lift from Tecalemit is a compact commercial vehicle lift suitable for lifting a broad range of smaller commercial vehicles and tractor units. The wide access onto the lift platform of 2,920mm and drive through width between the columns of 3,300mm ensures easy access for most vehicles. The overall platform length of 6,200mm allows vehicles with wheelbases up to 5,500mm to sit comfortably on the lift platform.

→ Technical Specifications & Dimensions

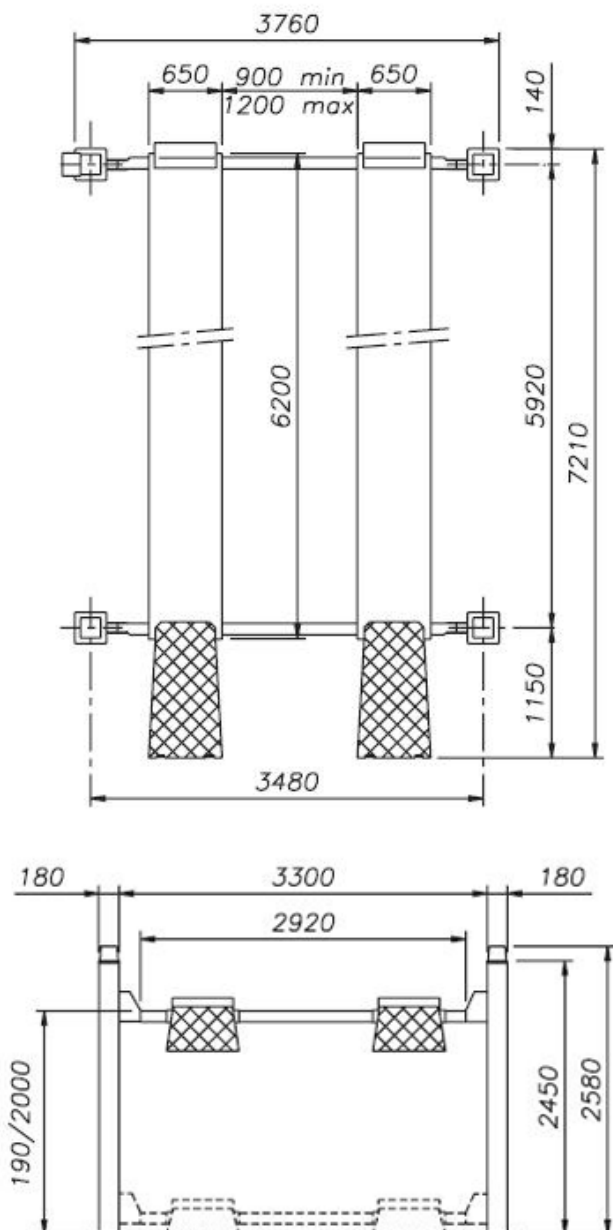
Minimum platform height.....	190mm
Raised height.....	2000mm
Motor supply.....	3kW
Maximum load.....	8000kg
Lifting time.....	55 secs
Lowering time.....	55 secs
Power supply.....	3ph 400V/50Hz
Effective dist. between posts.....	3300mm
Platform length.....	6200mm

→ Part Nos. & Ordering Information

8t capacity 4 Post Commercial Vehicle Lift.....	SF/9480
8t capacity 4 Post Commercial Vehicle Lift (recessed option).....	SF/9480/REC

→ Options & Accessories

4.0t pneumatic jacking beam.....	SS/8834/P
Lighting kit (<i>must be ordered with lift - cannot be retrofitted</i>)
.....	OA/61144



Issue No.: SF/9480 Aug 2020

Tecalemit Garage Equipment Co Ltd
Eagle Road, Langage Business Park,
Plymouth, United Kingdom PL7 5JY

Sales: 00 44 (0) 1752 219 111
Service: 00 44 (0) 1752 219 100
Fax: 00 44 (0) 1752 219 128
Email: sales@tecalemmit.co.uk
Web: www.tecalemmit.co.uk

All information in this document is correct at time of publication. Tecalemit reserves the right to amend and alter specifications without prior notice. Please confirm any critical requirements with your supplier at time of ordering.

