

Sentinel 5.5t Electro-hydraulic 2 post lift with symmetric arms



GARAGE EQUIPMENT
since 1922



Part No.: SF/9196

See overleaf for more information

- Automatic arm locking
- Low minimum lifting pad height of just 125mm
- Maintenance free lifting rams
- Cable synchronisation
- Symmetric arms extending to over 1800mm
- Single screw pads

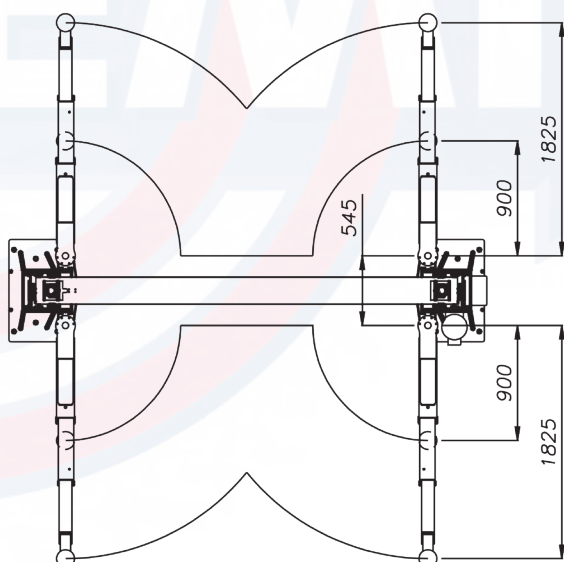
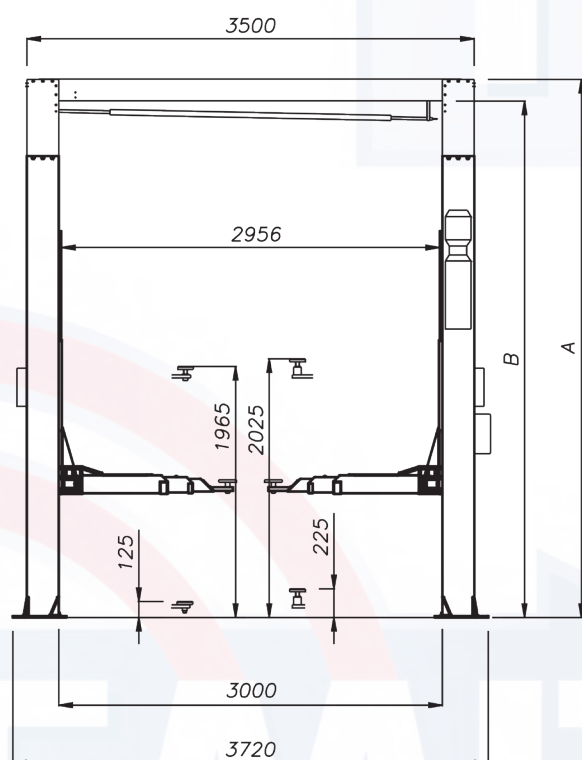
Sentinel 5.5t Electro-hydraulic 2 post lift with symmetric arms



GARAGE EQUIPMENT
since 1922

→ About the SF/9196

The SF/9196 baseless lift comes with symmetric arms for easy work access. These extendable, three-stage telescopic arms are ideal for vans and long wheel-based vehicles whilst also being adaptable for use with standard vehicles. The SF/9196 also comes in two height options - 5100mm as standard or 4200mm for workshops with height restrictions.



→ Technical Specifications & Dimensions

Pad height min.....	125mm
Raised height max.....	2025mm
Motor supply.....	3kW - 3ph
Drive through width.....	2800mm
Maximum load.....	5500kg
Maximum lifting/lowering time.....	40 secs
Weight.....	1080kg

→ Part Nos. & Ordering Information

Azur 5.5t Electro-hydraulic 2 post lift with symmetric arms (standard height 5100mm - 3ph)	SF/9196
Azur 5.5t Electro-hydraulic 2 post lift with symmetric arms (standard height 5100mm - 1ph)	SF/91956/1
Azur 5.5t Electro-hydraulic 2 post lift with symmetric arms (lower height 4200mm - 3ph).....	SF/9196/LH
Azur 5.5t Electro-hydraulic 2 post lift with symmetric arms (lower height 4200mm - 1ph).....	SF/9196/1/LH

→ Options & Accessories

High lift extension 20mm (set of 4).....	OA/50740
High lift extension 100mm (set of 4).....	OA/50734
High lift extension 170mm (set of 4).....	OA/50735
High lift extension 250mm (set of 4).....	OA/50736

Issue No.: SF/9196 March 2021

Tecalemit Garage Equipment Co Ltd
Eagle Road, Langage Business Park,
Plymouth, United Kingdom PL7 5JY

Sales: 00 44 (0) 1752 219 111
Service: 00 44 (0) 1752 219 100
Fax: 00 44 (0) 1752 219 128
Email: sales@tecalemmit.co.uk
Web: www.tecalemmit.co.uk

All information in this document is correct at time of publication. Tecalemit reserves the right to amend and alter specifications without prior notice. Please confirm any critical requirements with your supplier at time of ordering.

