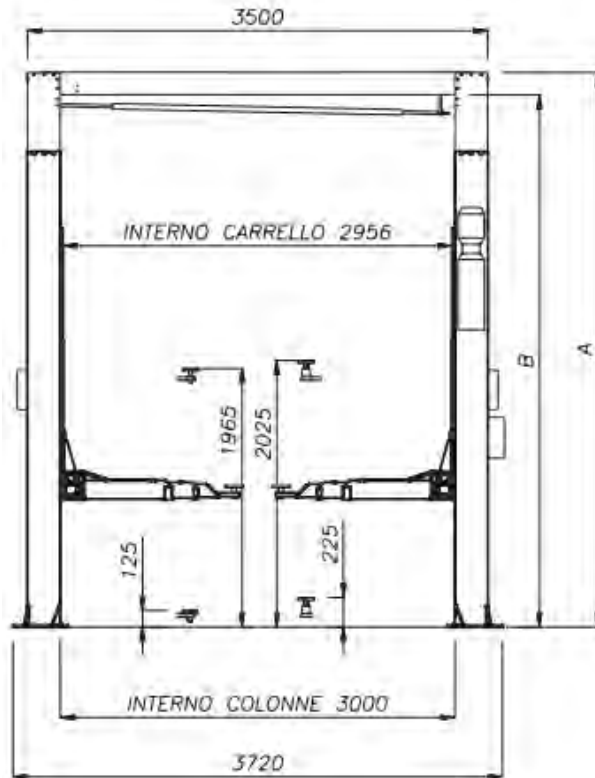


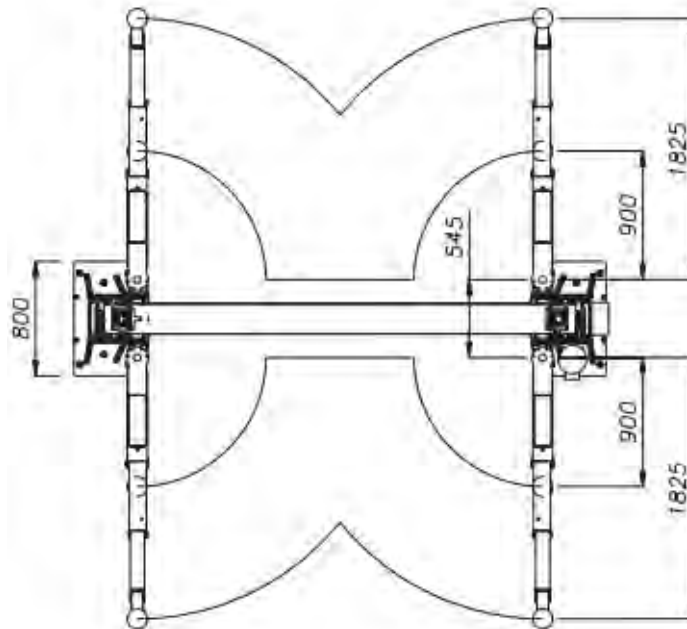
# SF/9196 – 5,500Kg 2 Post Lift



SF/9196 =Standard Height  
 SF/9196/LH = Low Height

A =5100mm  
 A =4200mm

B= 4930mm  
 B= 4030mm



Lifting Capacity: 5500Kg  
 Lifting/Lowering Time: 35 Seconds  
 Motor: 3.0 Kw

Equipment Weight: 1080Kg  
 Lifting Height: 1965mm  
 Power Supply: 12A TPN+E  
 20 Amp 240v  
 Floor Loading: 2.5 Kg per cm2

Minimum Concrete Thickness: 200mm