

Sentinel 5.5t Electro-hydraulic 2 post lift with articulated arms



GARAGE EQUIPMENT
since 1922



Part No.: SF/9195A

See overleaf for more information

- Automatic arm locking
- Low minimum lifting pad height of just 125mm
- Maintenance free lifting rams
- Cable synchronisation
- Symmetric, articulated arms extending to over 1600mm
- Single screw pads

Sentinel 5.5t Electro-hydraulic 2 post lift with articulated arms



GARAGE EQUIPMENT
since 1922

→ About the SF/9195A

The SF/9195A baseless lift comes with symmetric, articulated arms for easy work access. This design of arm is ideal for vans and long wheel-based vehicles whilst also being adaptable for use with standard vehicles. The SF/9195A also comes in two height options - 5100mm as standard or 4200mm for workshops with height restrictions.

→ Technical Specifications & Dimensions

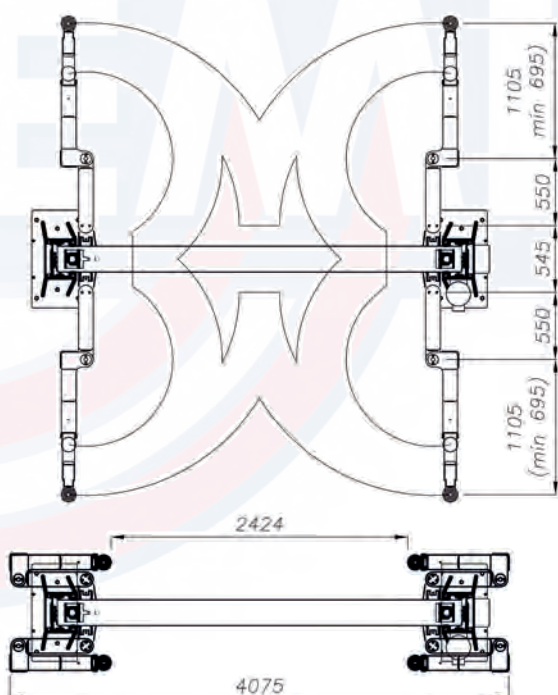
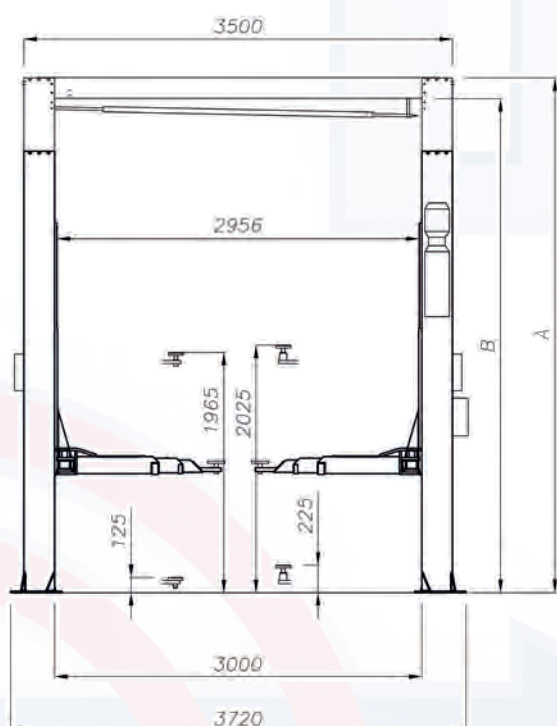
Pad height min.....	125mm
Raised height max.....	2025mm
Motor supply.....	3kW - 3ph
Drive through width.....	2800mm
Maximum load.....	5500kg
Maximum lifting/lowering time.....	40 secs
Weight.....	1200kg

→ Part Nos. & Ordering Information

Azur 5.5t Electro-hydraulic 2 post lift with articulated arms (standard height 5100mm - 3ph)	SF/9195A
Azur 5.5t Electro-hydraulic 2 post lift with articulated arms (standard height 5100mm - 1ph)	SF/9195A/1
Azur 5.5t Electro-hydraulic 2 post lift with articulated arms (lower height 4200mm - 3ph).....	SF/9195A/LH
Azur 5.5t Electro-hydraulic 2 post lift with articulated arms (lower height 4200mm - 1ph).....	SF/9195A/1/LH

→ Options & Accessories

High lift extension 20mm (set of 4).....	OA/50740
High lift extension 100mm (set of 4).....	OA/50734
High lift extension 170mm (set of 4).....	OA/50735
High lift extension 250mm (set of 4).....	OA/50736



Issue No.: SF/9195A March 2021

Tecalemit Garage Equipment Co Ltd
Eagle Road, Langage Business Park,
Plymouth, United Kingdom PL7 5JY

Sales: 00 44 (0) 1752 219 111
Service: 00 44 (0) 1752 219 100
Fax: 00 44 (0) 1752 219 128
Email: sales@tecalemmit.co.uk
Web: www.tecalemmit.co.uk

All information in this document is correct at time of publication. Tecalemit reserves the right to amend and alter specifications without prior notice. Please confirm any critical requirements with your supplier at time of ordering.

