

3.0t Short Platform Mid-Rise Scissor Lift



GARAGE EQUIPMENT
since 1922



Part No.: SF/9130/1

*See overleaf for
more information*

- 3.0t lifting capacity
- Low profile access of 96mm
- Maximum working height of platforms 930mm
- Electro-hydraulic operation
- Double volumetric cylinder under each platform
- Fast lifting time of 30 seconds
- Suitable for use in fast fits & tyre shops
- Single phase power supply

3.0t Short Platform Mid-Rise Scissor Lift



GARAGE EQUIPMENT
since 1922

→ About the SF/9130/1

The SF/9130/1 is a short platform mid-rise scissor lift developed specifically for use in the fast fit/tyre shop environment.

With a compact design and the opportunity for easy re-location the SF/9130/1 provides a time & cost saving, wheel-free, lifting solution where rapid access to wheels, brakes and certain suspension and steering components is required.

With a lifting height of 930mm achieved in 30 seconds, vehicles of up to 3000kg are safely positioned at a convenient working height to enable a wide range of servicing work to be undertaken.

The SF/9130/1 also features a very low profile, when lowered, of just 96mm, allowing access to most cars and car derived vans, even those with low front spoilers.

→ Technical Specifications & Dimensions

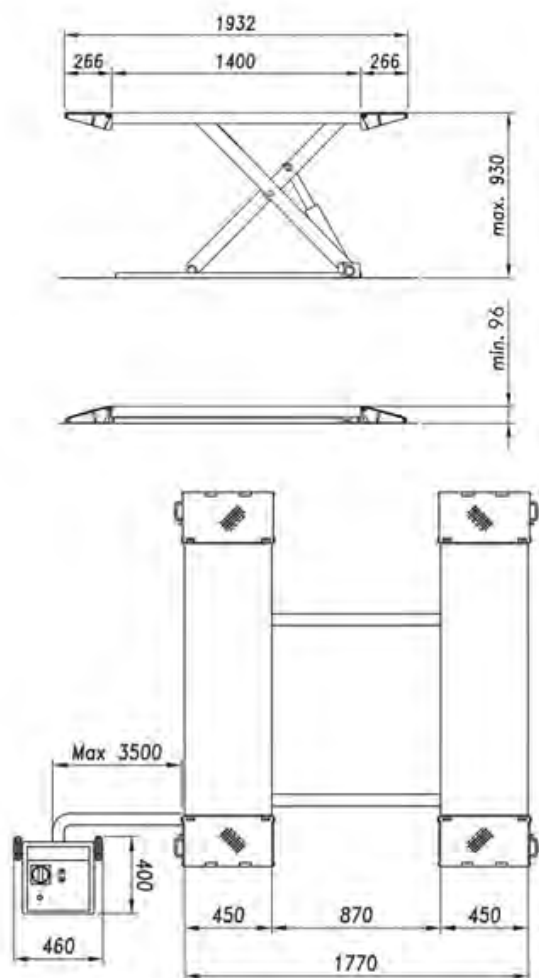
Maximum load.....	3000kg
Lifting / lowering time.....	30 - 35 secs
Maximum lifting height.....	930mm
Minimum lifting height.....	96mm
Length.....	1400mm / 1932mm
Overall width.....	1770mm
Motor.....	230/400V 50Hz

→ Part Nos. & Ordering Information

3.0t Short Platform Mid- Rise Scissor Lift 1ph.....	SF/9130/1
3.0t Short Platform Mid- Rise Scissor Lift 1ph, Self-install.....	SF/9130/1/SI

→ Options & Accessories

20mm pads.....	OA/60603/20
40mm pads.....	OA/60603/40
80mm pads.....	OA/60603/80
Wheel kit.....	OA/60568



Issue No.: SF/9130/1 Aug 2020

Tecalemit Garage Equipment Co Ltd
Eagle Road, Langage Business Park,
Plymouth, United Kingdom PL7 5JY

Sales: 00 44 (0) 1752 219 111
Service: 00 44 (0) 1752 219 100
Fax: 00 44 (0) 1752 219 128
Email: sales@tecalemmit.co.uk
Web: www.tecalemmit.co.uk

All information in this document is correct at time of publication. Tecalemit reserves the right to amend and alter specifications without prior notice. Please confirm any critical requirements with your supplier at time of ordering.

