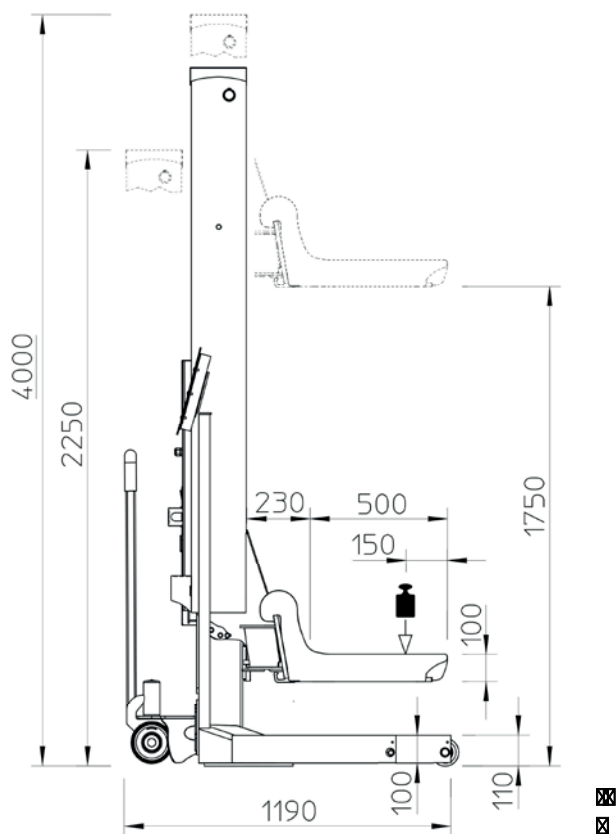
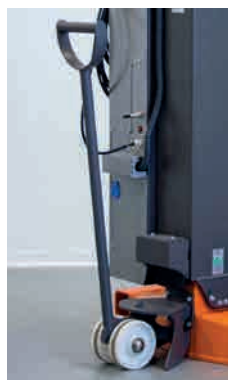




»» Mobile Column Lift
EHB[®]1003V11DC-4 WIRELESS



- + Slim column design allows for best vision and accessibility
- + Driving components completely enclosed, maintenance-free
- + Battery-powered and radio-controlled, for flexible use independent from power supply
- + EasyCharge: simple and quick charging via one 230 V supply
- + Long wheel forks; lift is suitable for motor homes in particular



Wheel handle



LCD display

Technical Data – EHB1003V11DC-4 wireless:

Model / capacity: Set of 4, 4 x 3 t = 12 t
 Load support: Adjustable forks for wheels Ø 550 - 1140 mm
 Length of fork 500 mm
 Lifting stroke: 1750 mm (effective)
 Lifting / lowering time: Approx. 70 sec.
 Operation: Central LCD control panel at one column
 Fast / Slow speed
 Up / Down, All / Single / Pair
 Max. 10 columns per lift set
 Control: Wireless communication via radio control
 Continuous / softstart
 Drive: Electro-hydraulic
 Power supply: Batteries, total 24 V
 Charging of batteries: Connection 230 VAC,
 1 charging cable per column
 Weight: 400 kg per column

Accessory:

- ☒ LCD display and operation at each column



Tecalemit Garage Equipment Co. Ltd.

T: 01752 219 111

W: www.tecalemit.co.uk

E: sales@tecalemit.co.uk

Unit R2 Eagle Road, Langage Business Park, Plympton, Plymouth PL7 5JY



All information in this document is correct at time of publication. Tecalemit reserves the right to amend and alter specifications without prior notice. Please confirm any critical requirements with your supplier at time of ordering.