

# Quadra 4.0t 4 Post Compact Geometry Lift



**Part No.: SF/9944/4**

*See overleaf for  
more information*

- Wheel alignment lift with rear wheel slip plates
- Suitable for use with CCD alignment systems
- 4000kg capacity
- Adjustable platform positions
- Compact overall dimensions

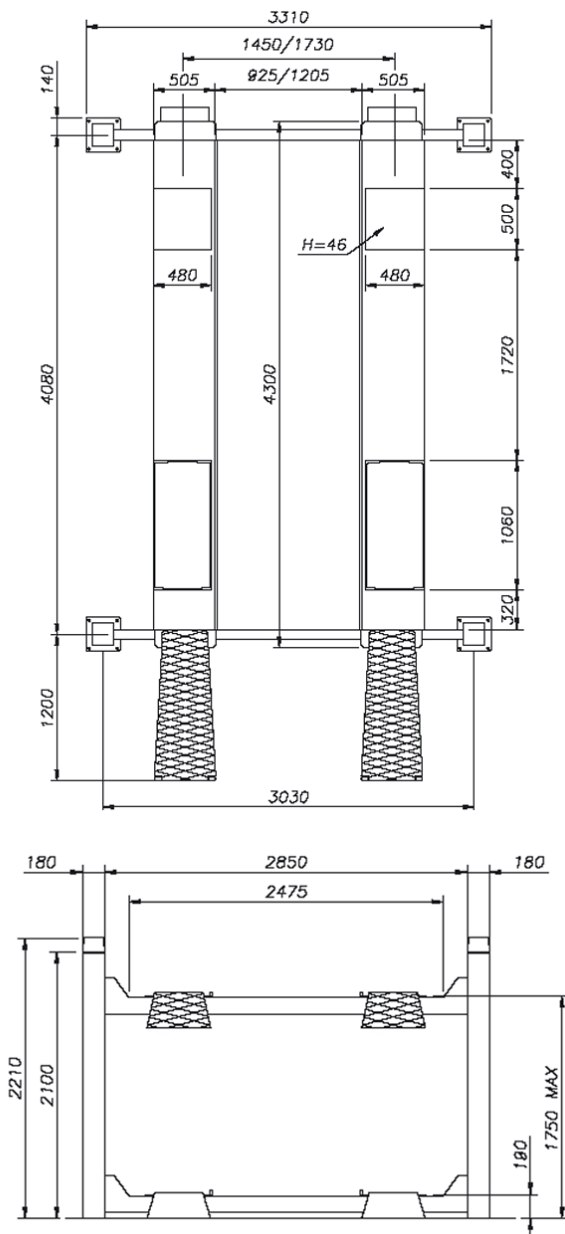
# Quadra 4.0t 4 Post Compact Geometry Lift



## → About the SF/9944/4

The SF/9944/4 is Tecalemit's entry level wheel vehicle geometry lift designed for use where space is at a premium. The SF/9944/4 has a platform length of just 4080mm. The lift is supplied with 50mm platform recesses for radius turning plates and ball bearing mounted rear wheel slip plates which allow for geometry adjustments to be made without the need for resetting the vehicle.

The Quadra SF/9944/4 has both hydraulic and electronically operated mechanical safety systems. Correct installation of the lift is essential and a level floor of at least 160mm C30 grade concrete is a prerequisite. Power supply is via a 15amp fused isolator.



## → Technical Specifications & Dimensions

Maximum load.....	4000kg
Raised platform height.....	1750mm
Lifting time.....	50 sec
Lowering time.....	45 sec
Power supply.....	3ph 400V 50Hz
Fused isolator rating.....	15amp
Motor.....	2.2kW
Net weight.....	1110kg

## → Part Nos. & Ordering Information

Quadra 4.0t Compact Geometry lift 3ph.....	SF/9944/4
Quadra 4.0t Compact Geometry lift 1ph.....	SF/9944/4/1

## → Options & Accessories

2.0t manually operated hydraulic jacking beam.....	SS/8821
2.0t air operated jacking beam.....	SS/8821/P
Radius turning plates.....	OA/60292
4 tube lighting kit (neutral supply).....	OA/60342
Infill plate kit (500mm).....	OA/60295

## Issue No.: SF/9944/4 June 2017

Tecalemit Garage Equipment Co Ltd  
Eagle Rd, Langage Business Park,  
Plymouth, United Kingdom PL7 5JY

Sales: 00 44 (0) 1752 219 111  
Service: 00 44 (0) 1752 219 100  
Fax: 00 44 (0) 1752 219 128  
Email: sales@tecalemmit.co.uk  
Web: www.tecalemmit.co.uk



All information in this document is correct at time of publication. Tecalemit reserves the right to amend and alter specifications without prior notice. Please confirm any critical requirements with your supplier at time of ordering.